

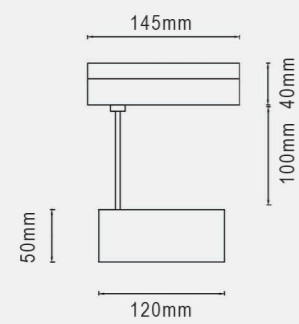


Lighting Design  
LED Lights

Since 2004

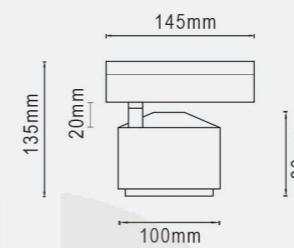
Track Lights Catalogue





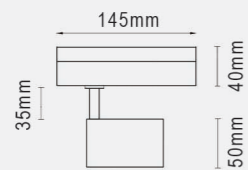
### T-03

Code: t-03  
 Luminous flux: 1200 lm  
 Color temperature: 3000K, 4000K  
 Power(Watt) : 12  
 Voltage: 220 VAC  
 CRI>90  
 Body: Aluminum  
 Beam Angel: 45° - 15°  
 Color:



### T-04

Code: t-04  
 Luminous flux: 2950 lm  
 Color temperature: 3000K, 4000K  
 Power(Watt) : 25  
 Voltage: 220 VAC  
 CRI>85  
 Body: Aluminum  
 Beam Angel: 45° - 15°




### T-05

Code: t-05  
 Luminous flux: 700 lm  
 Color temperature: 3000K, 4000K  
 Power(Watt): 7  
 Voltage: 220 VAC  
 CRI>90  
 Body: Aluminum  
 Beam Angel: 45°  
 Color:

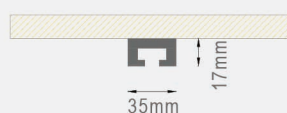


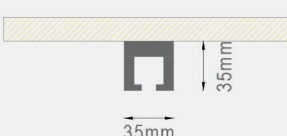


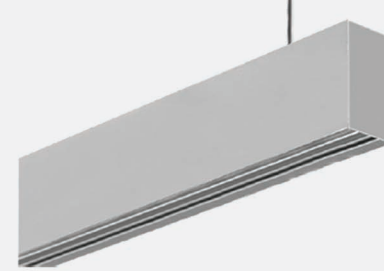


**ST1- RAIL**

Code: ST1  
 Installation: Surface  
 Body: Aluminium  
 2 or 4 isolated copper  
 1 or 3 Phase

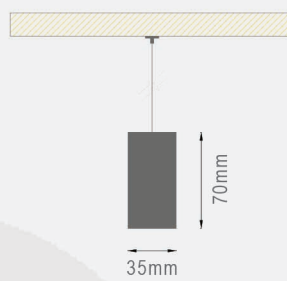

1 Phase 

3 Phase 



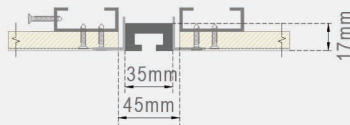
**HT-1 Rail**

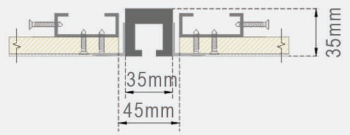
Code: HT1  
 Installation: Pendant  
 Body: Aluminium  
 Powder Coated  
 4 isolated copper  
 3 Phase

**ST2- RAIL (Trimless Recessed)**

Code: ST2  
 Installation: Recessed  
 Body: Aluminium  
 2 or 4 isolated copper  
 1 or 3 Phase  
 Trimless  
 Cut Size: 35 mm

1 Phase 

3 Phase 









[www.fadco.ir](http://www.fadco.ir)

Head Office & Showroom

No.20,South Kaveh Blv, Sadr Highway, Tehran-IRAN.

Tel : +98 21 22 63 91 63

Whats App : +98 936 154 43 67

Instagram : @fadlighting